

# **SUB-800 Subwoofer Integrated Amplifier**

## **A. Unpacking**

### **1. Check that you received the following items with the unit**

- SUB-800 Remote Handset.
- AC Power Cord.
- Double 4A batteries.

### **2. Inserting Batteries into the remote**

- Insert two size-4A batteries with the + and – properly oriented in to the battery in the battery compartment. When using the remote, point it at the remote sensor on the display panel.

### **3. Before you get started**

- Turn off the power to all components before making any connections.
- Do not connect the AC power cord until all of the connections are completed.
- Be sure to make connections firmly to avoid hum and noise.
- When connecting an audio cord, be sure to match the color-coded pins to the appropriate jacks on the components: white (left audio) to white; and red (right audio) to red.

## **B. Introduction to subwoofer amplifier of SUB-800**

- SUB-800 is a subwoofer amplifier with six channels amplifier inside, you can use it to get 5.1 channels surround sound. You can connect to DVD player, TV, VCR, TUNER system Etc. Regardless of audio input status (2 channels or 5.1 channels), you can enjoy multi-channels surround sound on your living room.

## **C. Display panel control**

### **● POWER STAND-BY / ON**

Press this bottom to turn ON or STAND-BY the amplifier.

#### **ON:**

When turn ON, system start working and STAND-BY indicator off.

**STAND-BY:**

When turn STAND-BY, system stop working and STAND-BY indicator on.

- **MUTE**

Press this bottom to disable or enable sound output.

**ON:**

When turn ON, LED display will blinking and sound stop output immediately.

**OFF:**

When turn OFF, LED display stable and sound output immediately.

- **SOURCE**

SUB-800 has five groups input source select, one group for 5.1 channels input, four groups for stereo input. Press this bottom to choice input source device, like DVD, CD, TV, TUNER and AUX.

- **MODE**

Press this bottom to select listen mode, when stereo input can simulate 5.1 channels output. this function just for CD, TV, TUNER, and AUX input channel.

- **VOL+**

Press this bottom to increase sound output level, the maximum volume is 0 dB.

- **VOL-**

Press this bottom to decrease sound output level, the minimum volume is -80 dB.

## **D. Display and indicators**

- **Three digits LED DISPLAY**

This display almost to display master volume, channel level and tone level depend on user controlled. When mute function enable, the display will blink.

- **STAND-BY Indicator**

When power turn on, this indicator off. When power turn off, this indicator

on.

- **DVD Indicator**  
When change input source to DVD channel, this indicator turn on.
- **CD Indicator**  
When change input source to CD channel, this indicator turn on.
- **TV Indicator**  
When change input source to TV channel, this indicator turn on.
- **AUX Indicator**  
When change input source to AUX channel, this indicator turn on.
- **TUNER Indicator**  
When change input source to TUNER channel, this indicator turn on.
- **BASS Indicator**  
When change bass tone level, this indicator blinking.
- **MIDDLE Indicator**  
When change middle tone level, this indicator blinking.
- **TREBLE Indicator**  
When change treble tone level, this indicator blinking.
- **LEFT, RIGHT, CENTER, LS, RS, SUBW Indicator**  
Those indicators normally display sound output status, except level trim function enable. When level trim function enable, one of the indicator blinking depend on user control channel.

## **E. Rear panel connection**

- **DVD (LEFT, RIGHT, CENTER, SUBW, LS, RS) jacks**  
Those are a source input jacks, connecting to DVD player has Six channels output.
- **CD jack**

This jack is source input jack, connecting to CD stereo output.

- **TV jack**

This jack is source input jack, connecting to TV stereo output.

- **AUX jack**

This jack is source input jack, connecting to AUX device stereo output.

- **TUNER jack**

This jack is source input jack, connecting to TUNER stereo output.

- **SPEAKER terminal**

LEFT, RIGHT, CENTER, LS, RS channel power amplifier output, connecting to speaker. + (red) connecting to speaker + (red), - (black) connecting to speaker – (black).

## **F. Remote control unit**

- **POWER STAND-BY / ON**

Press this bottom to turn ON or STAND-BY the amplifier.

**ON:**

When turn ON, system start working and STAND-BY indicator off.

**STAND-BY:**

When turn STAND-BY, system stop working and STAND-BY indicator on.

- **MUTE**

Press this bottom to disable or enable sound output.

**ON:**

When turn ON, LED display will blinking and sound stop output immediately.

**OFF:**

When turn OFF, LED display stable and sound output immediately.

- **DVD**

Select DVD source input.

- **CD**

Select CD source input.

- **TV**  
Select TV source input.
- **AUX**  
Select DVD source input.
- **TUNER**  
Select TUNER source input.
- **MODE**  
Press this bottom to select listen mode, when stereo input can simulate 5.1 channels output. This function just for CD, TV, TUNER, and AUX input channel.
- **LEVEL TRIM**  
Press this bottom to select which channel want to adjustment then press VOL+ and VOL- to adjust. LEFT, RIGHT, CENTER, LS, RS, SUBW indicator blinking to display which channel be selected.
- **TONE CONTROL**  
Press this bottom to select which tone want to adjustment then press VOL+ and VOL- to adjust. BASS, MIDDLE and TREBLE indicator blinking to display which tone be selected.
- **VOL+**  
Press this bottom to increase sound output level, the maximum volume is 0 dB.
- **VOL-**  
Press this bottom to decrease sound output level, the minimum volume is -80 dB.

## **G. Specifications**

- **Input Impedance**  
DVD.....200mV/22K OHM  
DVD DOWNMIX.....200mV/22K OHM

TV.....	200mV/22K OHM
TUNER.....	200mV/22K OHM
AUX.....	200mV/22K OHM

- **Output Power: @ 4 OHM Load, THD @ 1%**

Left.....	25 Watts
Right.....	25 Watts
Center.....	25 Watts
LS.....	25 Watts
RS.....	25 Watts
Subwoofer.....	50 Watts

- **Signal to Noise Ratio @ Rated Power Output (A-Weighted)**

Left.....	76 dB
Right.....	76 dB
Center.....	82 dB
LS.....	82 dB
RS.....	82 dB
Subwoofer.....	76 dB

- **Total Harmonic Distortion @ 1K Hz 25 watts Output**

Left.....	0.04 %
Right.....	0.04 %
Center.....	0.04 %
LS.....	0.04%
RS.....	0.04 %
Subwoofer.....	0.04 %

- **Crossover Frequency.....100Hz**

- **Bass, Middle and Treble Center Frequency**

Bass.....	250 Hz
Middle.....	1K Hz
Treble.....	10K Hz

- **Audio Frequency Response @ 20 Hz to 20 K Hz**

L, C, R, LS, RS.....	+ -3 dB
----------------------	---------

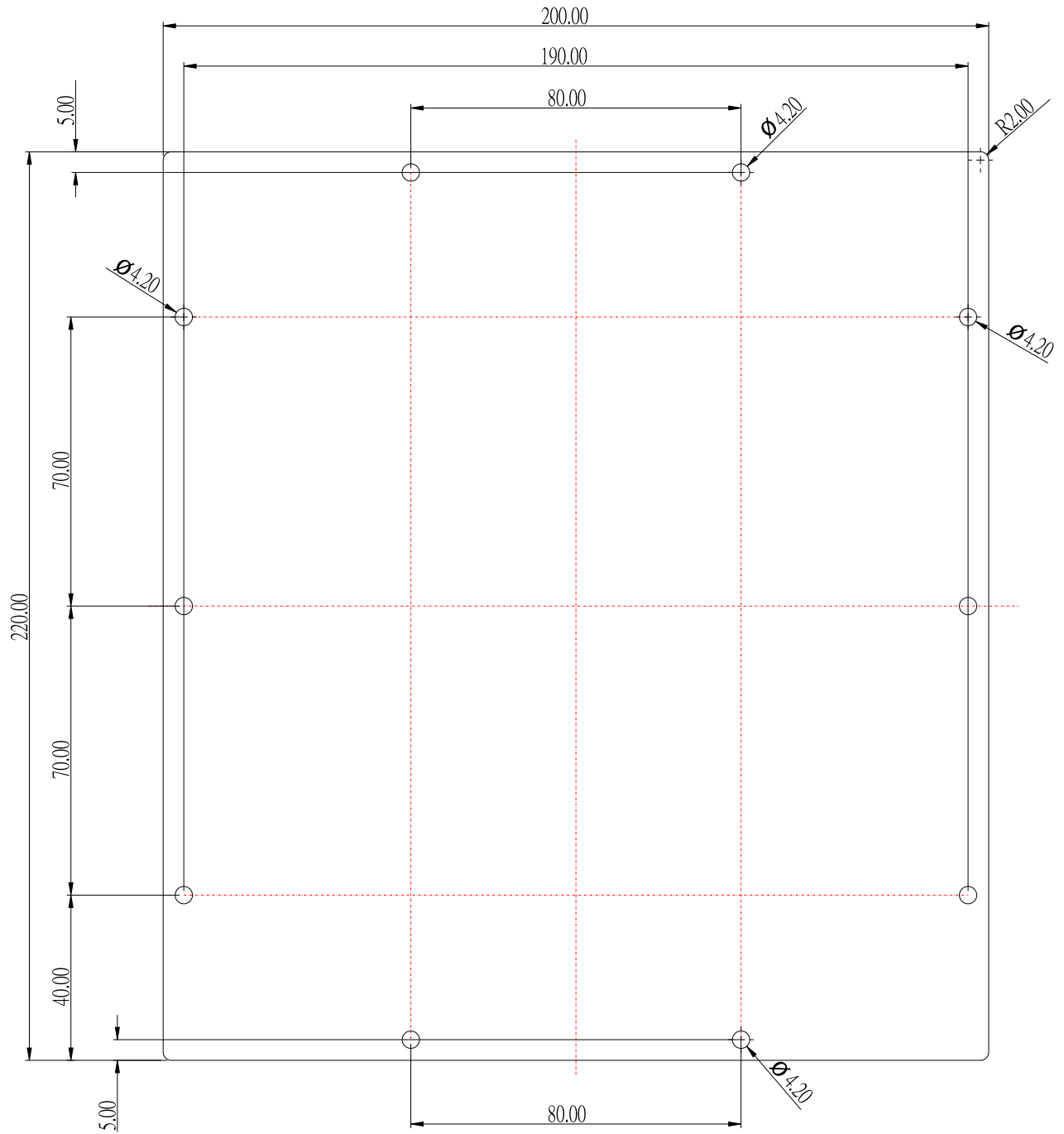
- **Cross talk @ 1K Hz.....65 dB**

**FORMOSA AUDIO LTD.**

**TEL: 886-2-82581521**

**FAX: 886-2-82581522**

**WEB: [www.formosa-audio.com](http://www.formosa-audio.com)**



確認	繪圖	日期	91,4,23		材料	SECC, t=2.0	機種	SUBWOOFER SPK	
		比例	單位	投影法	處理	表面烤漆黑色, 白色文字印刷	品名	REAR PANEL	
		1/1	MM	◎ □			料號	11-1009	
詮采科技有限公司							圖號	A2-0005	版本



